



# **CINTASA**

**BELT CONVEYOR**

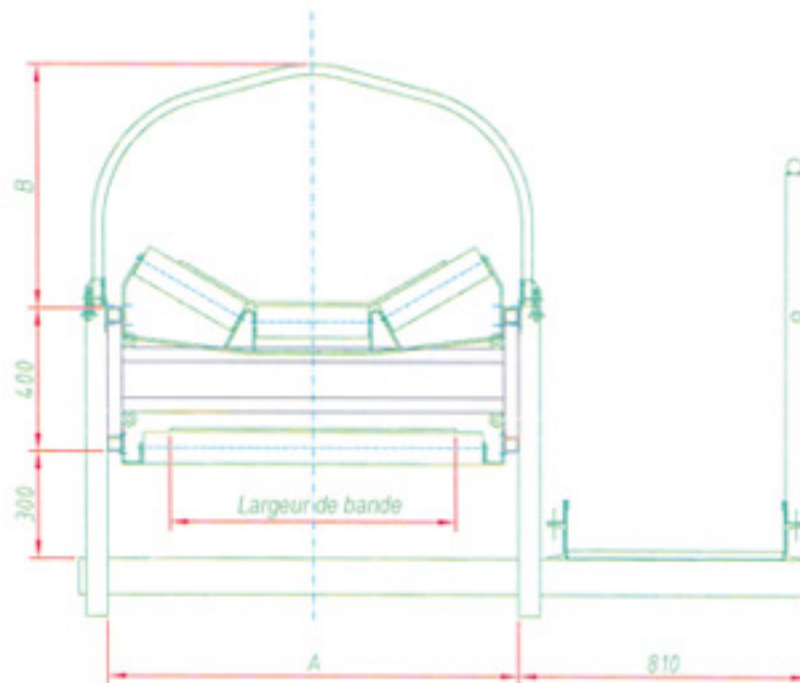
# **TTR**

It was designed to fill the existing void between our belt conveyors type TTL and TCL. Currently, it is an indispensable equipment among our products.

Frame in highly rigid screen formed by four pipe profiles in steel with square section, joined together forming a frame and lattice. Its modular manufacture makes easier the transport, assembly and its adjustment at any type of installation.

Belt width of 500, 650, 800 and 1000 mm., with capacity to transport until 300 T/h. Thanks to its robustness, the conveyor type TTR allows a length of the bays between the supports of 10-12 m. The idler support stations, as well as the other parts, will be fixed to the frame through some brackets, to facilitate its distribution along all the conveyor and the centring of the belt.

This type of conveyor is suitable for different sectors, as for instance: Building and public works, aggregates and quarries, mining, recycling installations, agriculture and manufacture industry.



BELT WIDTH	DIMENSIONS	
	A	B
500	800	585
650	950	650
800	1150	680
1000	1350	705



**CINTASA**



Drive head



Intermediate frames



Tail head





**CINTASA**

EQUIPMENT  
**TTR**





# ACCESSORIES

## TTR

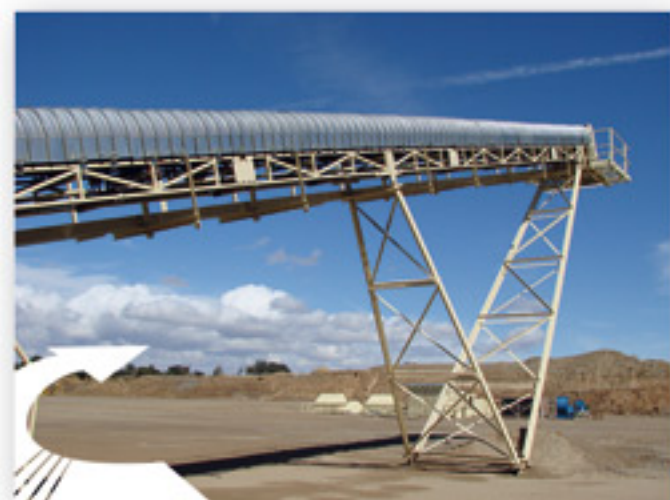
**Skirt boards**  
They avoid the spilling of the product.



**Tripper**  
It slides along the conveyor by rails, which allows the unloading of the product as along all the conveyor, as at both sides of it.



**Chute of unloading**  
It is essential when the unloading of the product must be done at one exact point.



**Covering**  
It protects the product from the atmospheric conditions.



**Walkway**  
With access stairs. It allows to do the cleaning and maintenance of the equipment with safety and convenience.

**Equipment with turn system**  
Only one conveyor and many unloading zones.





# INSTALLATIONS TTR







**CINTASA**







## OUR PRODUCTS AND SERVICES ARE:

- Belt conveyors, fix and mobil
- Plate conveyors
- Belt elevator conveyors
- Buckets elevators
- Several feeders
- Screw conveyors
- Roller conveyors
- Maintenance of installations
- Installations for treatment of wastes:  
domestic, industrial, agricultural, etc...
- Installations for aggregates
- Boilermaking and structures
- Study and development of projects
- Assembly
- Maintenance and technical assistance



# CINTASA

Ctra. N - 232, km. 252a  
50180 UTEBO (Zaragoza) Spain  
Phone: +34 976 770 656 - Fax +34 976 787 341  
[cintasa@cintasa.com](mailto:cintasa@cintasa.com)  
[www.cintasa.com](http://www.cintasa.com)



DISTRIBUTOR:

--